

IMPELLER FLOWMETERS



Designed
and
Manufactured
for Customer
Value



The UT series of Impeller Flowmeters are specifically engineered for the most common liquid transfer and monitoring applications within industrial plants, mining sites, automotive service centres and refuelling installations

Monitoring and controlling the movements of water, fuels and other low viscosity liquids under pumped or gravity conditions in small pipe sizes is widespread. The UT flowmeter provides a cost effective and reliable solution with a variety of versatile options.

Totaliser and flow rate reading versions are available as I.S. for volatile fuels and solvents.

FEATURES:

- Flows: 0.5~70 litres/min (0.15~20 US g/m)
- Quick connect process adaptors
- High accuracy and repeatability
- Low cost of ownership
- Wide flow turndown
- Rugged and compact design
- Intrinsically safe hazardous area versions
- Integral flow conditioning and strainer

GENERAL SPECIFICATIONS



Model Prefix:	Flowmeter	Batch System
Nominal Size	20mm (3/4" BSP or NPT male threaded)	
Wetted Material	Nickel plated brass body, PP impeller with ruby bearing	
Flow Range	1 - 70 litres/min (0.3 - 18 USGPM)	
Accuracy	+/-1.5% of reading (70:1 turndown) +/-0.5% for 20:1	
Repeatability	+0.3%	
Temperature Range	5°C - 90°C (40°F - 194°F) - 10 bar (150psi)	
Maximum Pressure	10 bar (150psi)	
Power Requirement	self powered or 5 - 30Vdc	24Vdc
Protection Class	IP66 / 67, Optional I.S.	IP66 / 67 (NEMA 4X)

Electrical (see also optional outputs)

Output pulse resolution	Reed Switch & Hall Effect	20 PPL (76 PPG)
*Reed switch output	30Vdc x 200mA max.	
Hall effect output	3 wire NPN open collector, 5-24Vdc, 20mA max.	

* Maximum thermal shock 10 °C (50°F) / min. applies to the reed switch

Optional functions

Display	Flow rate, total (accumulative & resettable)	
Preset batching	1 & 2 stage high speed batch control, solenoid valve optional	

Optional outputs

Flow	4 ~ 20mA, high & low flow rate alarms	
Pulse	Scaled pulse (programmable), pulse repeater / amplifier	

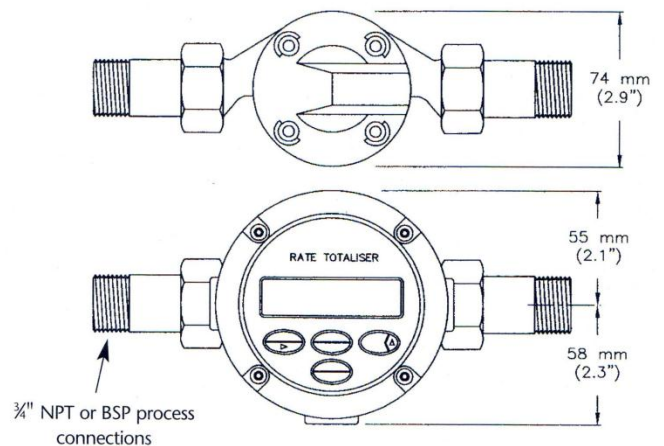
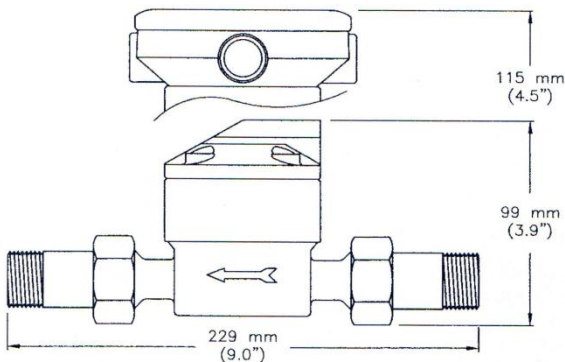
IMPELLER METER COMBINATIONS

Model	Description
UT020B# - 00	Blind meter with Reed switch & Hall effect outputs
UT020B# - B2	Meter with BT11 dual totaliser with scaleable pulse output
UT020B# - B3	Meter with I.S. intrinsically safe BT11 totaliser
UT020B# - R2	Meter with RT12 flow rate totaliser with 4~20mA, scaleable pulse, alarm outputs, dual flow inputs
UT020B# - R3	Meter with I.S. intrinsically safe RT12 rate totaliser
UT020B# - R4	Meter with RT20 large LCD rate totaliser (provides backlite LCD display when externally powered)
UT020B# - E0	Meter with 24Vdc powered EB10 Ecobatch one or two stage batch controller
UT020B# - E50	Meter with 24Vdc powered EB10 Ecobatch & 24Vdc x 8W solenoid valve

Select meter according to meter coupling connections (1 = 3/4" BSP Male or 2 = 3/4" NPT Male)
Meters can also be used for low viscosity insecticides & fertilisers which are compatible with the meters brass body

Applications include:

Water, gasolines, diesel fuel, kerosene, anti-freeze mixtures, alcohols, selected solvents, insecticides, flavourings, dyes, automotive workshops, food processing plants, fuel depots, mobile service vehicles, portable test metering and many small handling facilities.



TRIMEC
FLOW PRODUCTS