

Dear Dirk Kuiper

October 2014

Volume 2, Issue 12

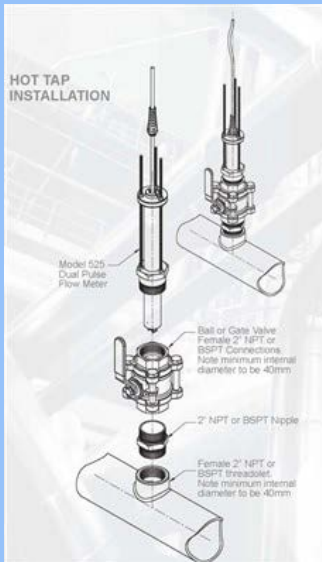
Trimec-FP News

Trimec Flow Products are going from strength to strength at the moment with several project orders received and an increase in enquiries from various parts of the world.

Several new distributors have been appointed in various parts of the world and we look forward to increasing our business with them in the future.

Trimec Flow products IF Series Paddle Flow Meters

Below is an illustration of the hot tap installation for the Trimec-FP Paddle Wheel flowmeters offering the advantage of being able to install and withdraw the flowmeter without shutting a process line down.



Trimec Flow Products MP Series Flowmeters

Trimec Flow Products Multipulse positive displacement flowmeters utilises the widely accepted oscillating piston design principle with the performance enhanced by the use of modern engineering materials to provide a cost effective and reliable solution for a wide range of industrial flow measurement applications.

Design Simplicity

It's simple and robust design offers the advantage of only one moving part with both high resolution open collector and reed switch outputs as standard. As each piston rotation passes a known liquid volume, the inherent repeatability of the Multipulse positive displacement flowmeter makes it particularly suited to batching and dispensing duties.

Application Flexibility

Commonly metered liquids range from non-conductive low viscosity solvents through to extremely viscous lubricants, chemicals and food bases. Application flexibility is further enhanced as meter performance is independent of flow profile eliminating the restrictive need for straight pipe runs required with most alternate metering technologies. Multipulse has no stagnate chambers to harbor contaminants. There are no restrictions on mounting orientation and the flowmeter may be operated under vacuum flow, pumped flow or gravity flow conditions.



Trimec Flow Products Pty Ltd
21/51 Kalman Drive, Boronia, AUS, 3155
Ph. +61 (0)3 9937 1811
Fax: +03 9729 1960
E: sales@trimec-fp.com.au